

## Before You Begin

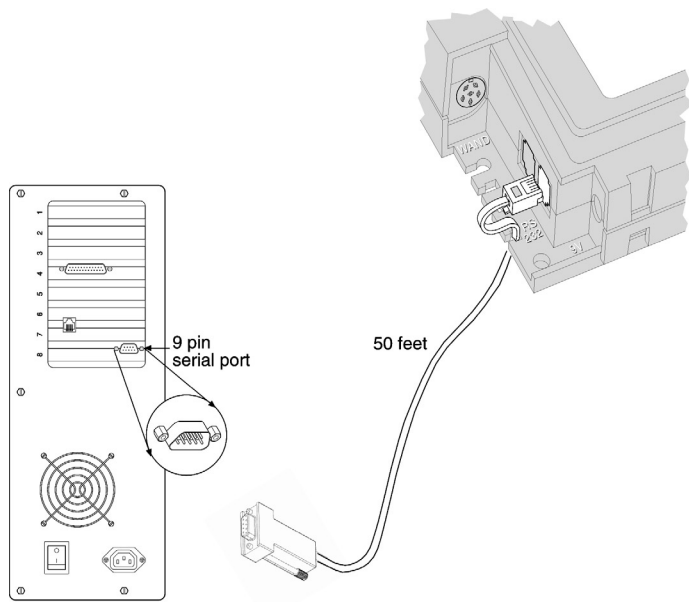
You'll need the following hardware:

- Host Cable Assembly, Part #25-0116-008
- Acroprint Data Collection Terminal (ADCT) including,
  - Power Supply
  - Wall Mount and 4 screws
  - Configuration Badge

Follow the setup instructions on this Quick Start sheet.

For updates to the ATR20/20 documentation and last-minute product information, visit [www.acroprint.com](http://www.acroprint.com).

## RS232 Wiring diagram

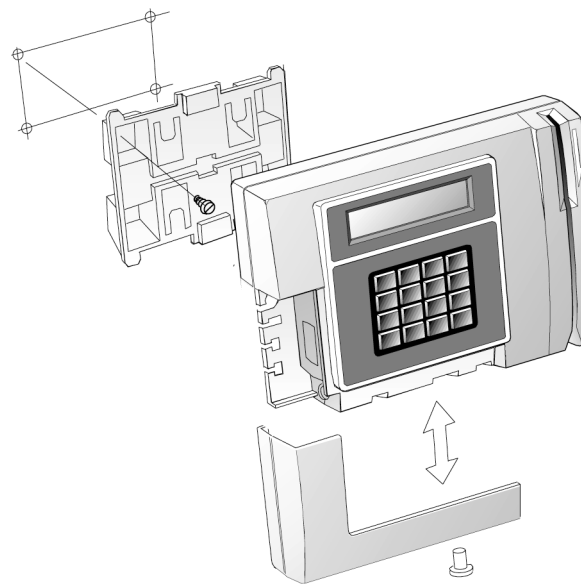


The RS232 port is located on the left corner of the terminal. RS232 is imprinted on the terminal casing.

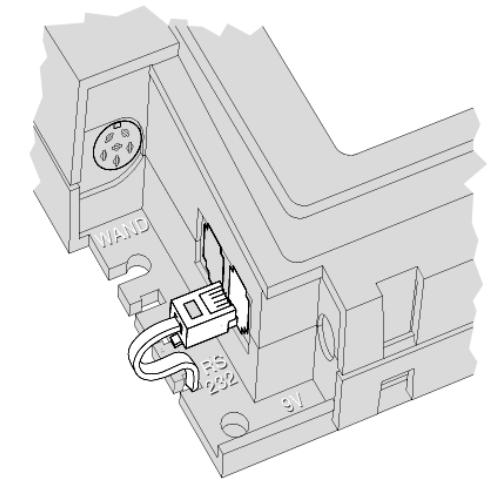
RS232 communications allow for one ADCT to be connected to one PC serial port.

## 1 Cable Connections on the computer & ADCT

- Remove cover to expose ADCT ports
- Route the RS232 and power cables behind the wall bracket.
- Secure the wall bracket with the supplied screws to a hard surface such as plywood.
- Mount the ADCT to the wall bracket.



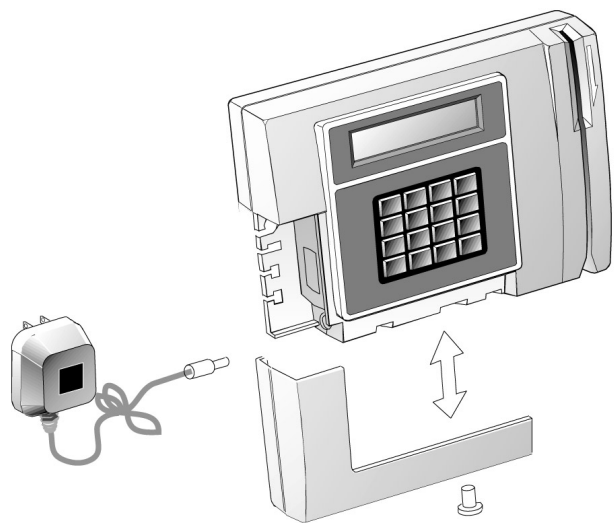
## 2 Connect RS232 to the ADCT



Make sure the power is off at both the time clock terminal and the PC, and the access door on the terminal is removed.

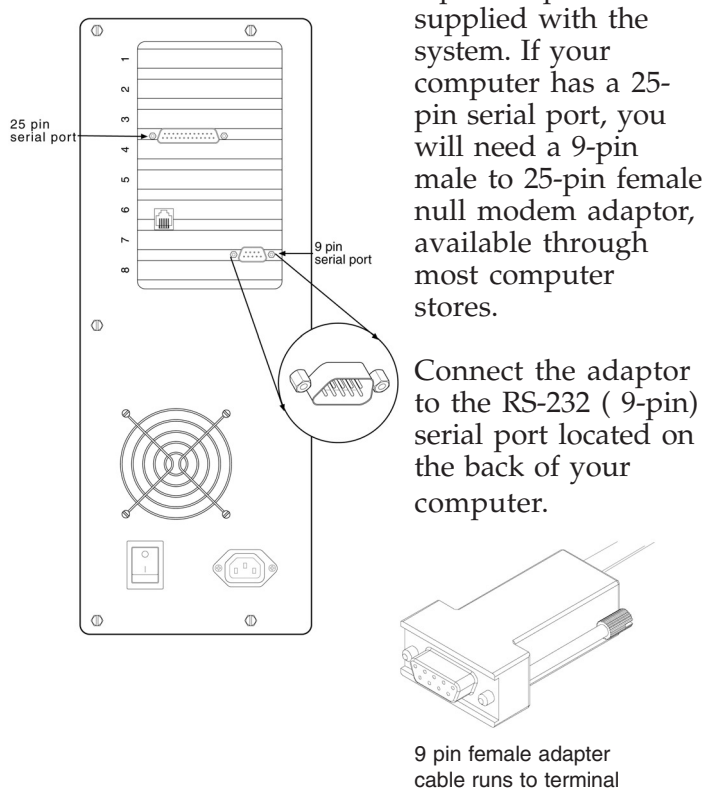
Using the supplied cable, connect the RJ-11 modular connector to the RS232 port on the lower left corner.

## 3 Connect power supply to the ADCT. Then plug into the wall.



Connect the power supply to the ADCT. Replace access door cover. Connect the power supply transformer to the wall power outlet. Observe proper supply voltage.

## 4 Connect RS232 to PC serial port



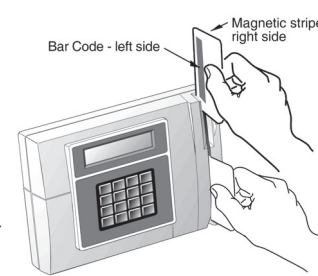
Connect the other end of the RJ-11 modular cable to the 9-pin adaptor supplied with the system. If your computer has a 25-pin serial port, you will need a 9-pin male to 25-pin female null modem adaptor, available through most computer stores.

Connect the adaptor to the RS-232 (9-pin) serial port located on the back of your computer.

9 pin female adapter cable runs to terminal

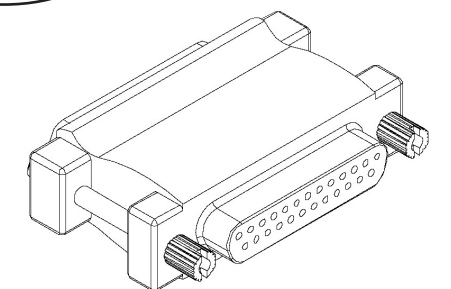
## 5 Setup terminal

- Swipe the configuration badge and select the desired option:
  - Option 1 Date and Time
    - Select DDMMYYYY
    - Select HHMM
  - Option 2 Ports
    - Select RS232 Communications
    - Select 9600 Speed (Default)
    - Select Parallel Printer Port (Default)
    - Transaction Timeout = 0
    - Terminal ID = 1 (Default)
    - \*Multiple terminals require different terminal ID's.
  - Option 3 Readers
    - 1 - Internal barcode 3 of 9 (Default)
    - 2 - External barcode 3 of 9 (Default)
    - 3 - Magnetic stripe Track 2 (Default)
  - Option Test
    - 1 - Signals
    - 2 - Print



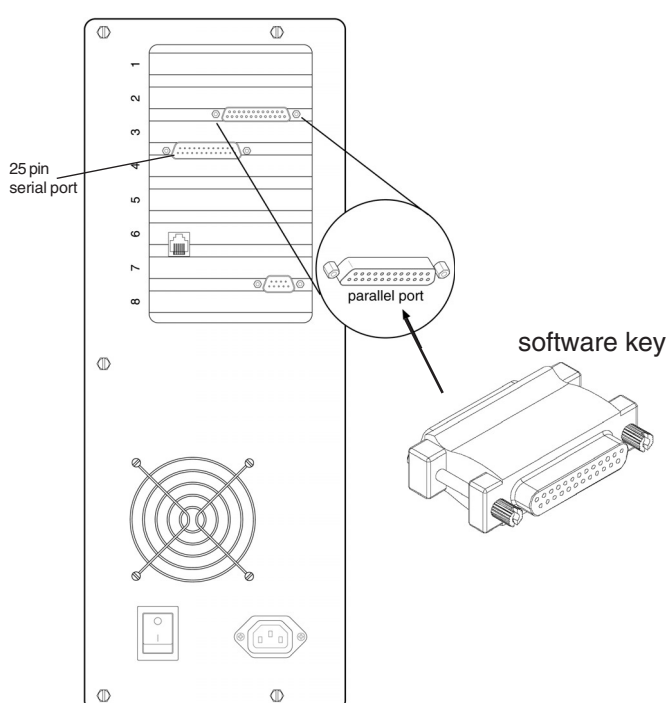
## 6 Before you begin the software installation, you need the following

- ATR20/20 Software on CD
- A software security key.



## 7 Attach security key to PC's parallel printer port

Connect the software security key to a working PC parallel printer port. If the PC parallel port has a printer cable attached, remove the printer cable from the PC and attach the software security key. Reattach the printer cable to the software key.



## 8 Software installation

- Insert Software ATR20/20 into your CD-ROM drive.
- On the Install Menu Click on **Software Install**
  - If the install menu does not appear, click Start on the taskbar, select Run, type D:\Setup\Disk1\Setup.exe (where D is your CD's drive letter), then click **OK**.
  - Follow the instructions on the screen.

## 9 The Wizard Setup

Click on the ATR20/20 ICON on the desktop  
To login type sysop for user and password for password.



The wizard will guide you through the complete setup of the program.

