

Before You Begin

You'll need the following hardware:

- Cable, Part #72-0146-000
- Acroprint Data Collection Terminal (ADCT) including,
 - Power Supply
 - Wall Mount and 4 screws
 - Configuration Badge 000000000

- A dedicated analog phone line (a typical home line.) A similar phone line is found on a fax.

Do not connect the ADCT with a fax machine because they will interfere with each other.

Do not connect the ADCT to a digital phone system. To do so will damage the ADCT.

Do not share the ADCT with any other device on the same phone line unless a line sharing device such as a switch box is used. To do so will cause communication problems or damage the ADCT.

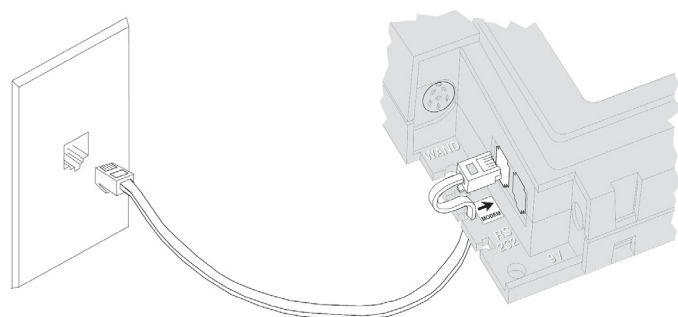
Follow the setup instructions on this Quick Start sheet.

For updates to the ATR20/20 documentation and last-minute product information, visit www.acroprint.com.

Modem wiring diagram

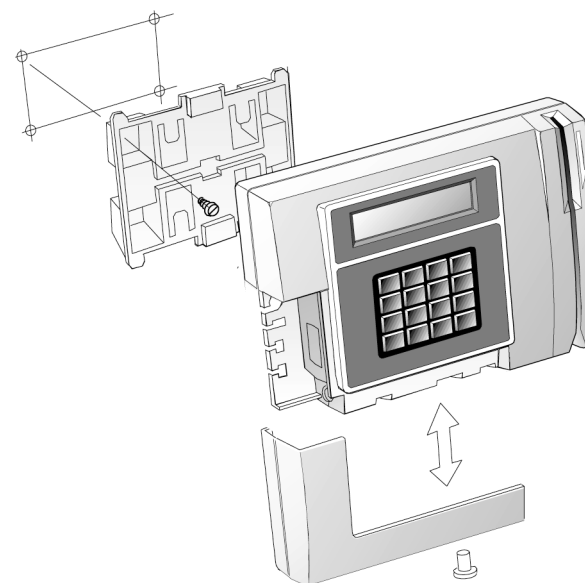
The modem port is located on the left corner of the terminal. A modem label is on the terminal case.

Modem communications allows for one ADCT to be connected to an analog phone line.

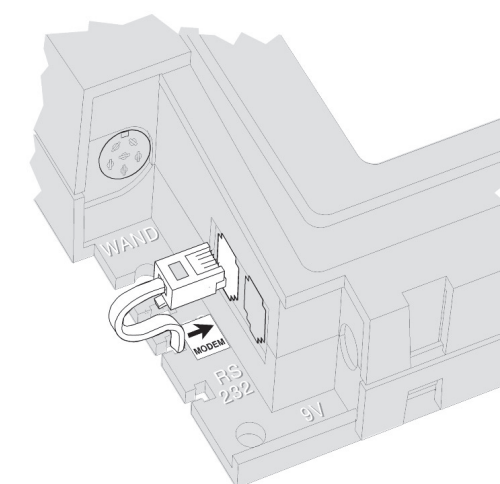


1 Cable connections on the computer & ADCT

- Remove cover to expose ADCT ports
- Route the modem and power cables behind the wall bracket.
- Secure the wall bracket with the supplied screws to a hard surface such as plywood.
- Mount the ADCT to the wall bracket.



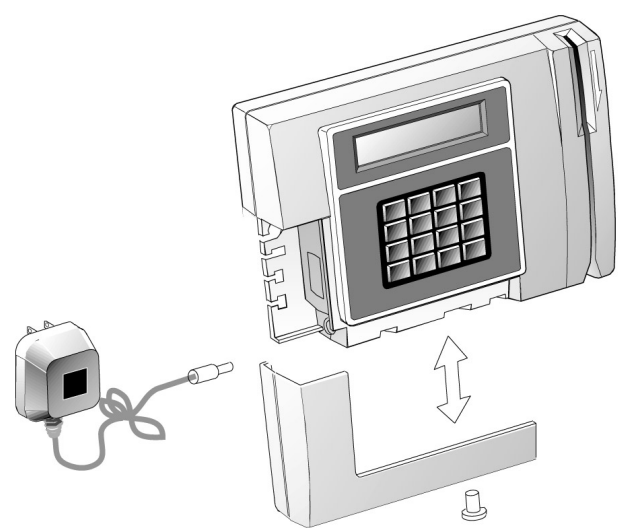
2 Connect phone line to the ADCT



Make sure power is off at the terminal, and the access door on the terminal is removed.

Using the supplied cable, #72-0146-000, connect the RJ-11 modular connector to the ADCT modem port on the lower left corner.

3 Connect power supply to the ADCT. Then plug into the wall.



Connect the power supply to the ADCT. Replace access door cover. Connect the power supply transformer to the wall power outlet. Observe proper supply voltage.

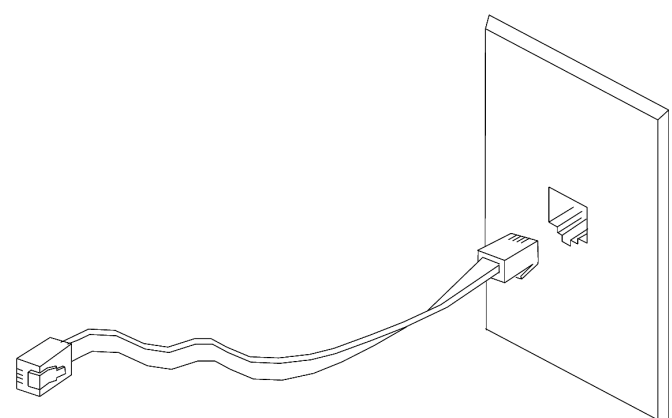
4 Connect ADCT modem to analog phone line

Using the supplied cable, #72-0146-000, connect the RJ11 modular connector to the phone line.

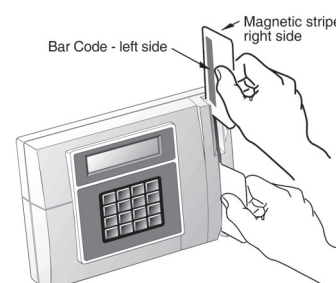
The ADCT should only be connected to an analog line.

Do not connect the ADCT to a digital phone line. To do so will damage the ADCT.

Do not share an ADCT with any other device on the same phone line unless a line sharing device is used. To do so will cause communication problems or damage to the ADCT.



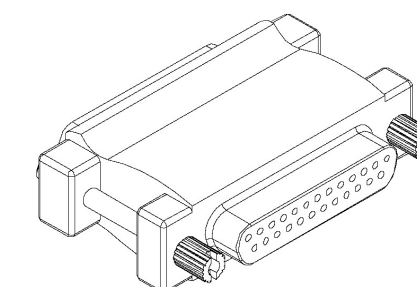
5 Setup terminal



- Swipe the configuration badge and select the desired option:
 - Option 1 Date and Time
 - Select DDMMYYYY
 - Select HHMM
 - Option 2 Ports
 - Select Modem Communications (Default)
 - Select 2400 Speed
 - Answer Window 00002359
 - Select Parallel Printer Port (Default)
 - Transaction Timeout = 0
 - Terminal ID = 1 (Default)
 - *Multiple terminals require different terminal ID's.
 - Option 3 Readers
 - 1 - Internal barcode 3 of 9 (Default)
 - 2 - External barcode 3 of 9(Default)
 - 3 - Magnetic stripe Track 2 (Default)
 - Option Test
 - 1 - Signals
 - 2 - Print

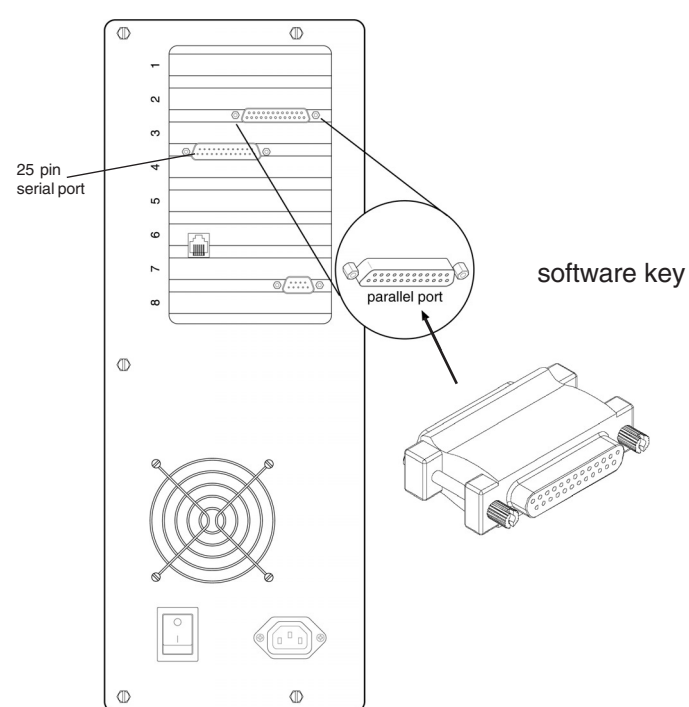
6 Before you begin the software installation, you need the following

- ATR20/20 software on CD
- A software security key



7 Attach security key to PC's parallel printer port

Connect the software security key to a working PC parallel printer port. If the PC parallel port has a printer attached, remove the printer cable from the PC and attach the software security key. Reattach the printer cable to the software key.

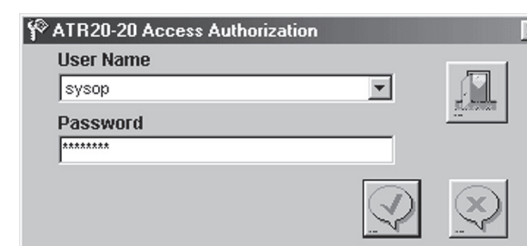


8 Software installation

- Insert Software ATR20/20 into your CD-ROM drive.
- On the Install Menu Click on **Software Install**
 - If the install menu does not appear, click Start on the taskbar, select Run, type D:\Disk1\Setup.exe (where D is your CD's drive letter), then click **OK**.
 - Follow the instructions on the screen.

9 The Wizard Setup

Click on the ATR20/20 ICON on the desktop To login type sysop for user and password for password.



The wizard will guide you through the complete setup of the program.

