

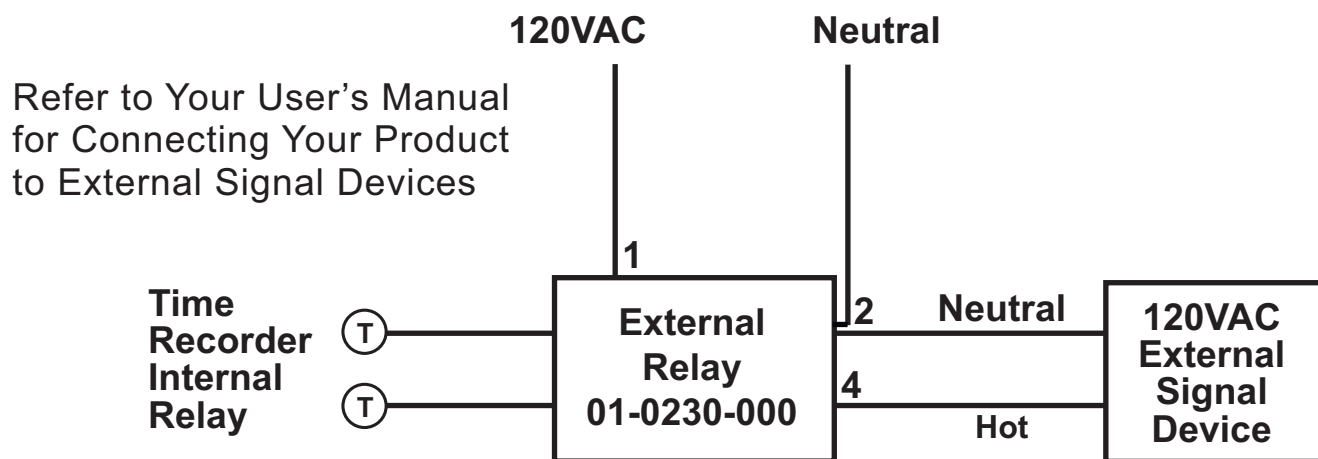
## Connecting an External Signal Device to the ES900/1000, ATR240/360, TQ600BC(Barcode) & TQ600M(Magnetic)

**Please consult your local electrician for installation.**

**All wiring must comply with all local and national electrical codes, ordinances, and regulations. Failure to comply could cause serious electrical shock and damage to equipment that will void the warranty.**

It is necessary to install a relay in order to control an External Signal Device. When a signal is activated the internal contacts close completing the circuit. These internal contacts are “dry” and supply no voltage. Voltage applied to these contacts must not exceed 30 volts. The relay activates the external signaling device.

- 1) Mount the Relay vertically on a solid wall or partition as near as possible to the time recorder. Select a location that is easily accessible for installation and service.
- 2) Disconnect the time recorder from the power and connect it to the Relay per the diagram below. Follow the instructions in your product’s User Manual for making the connection.

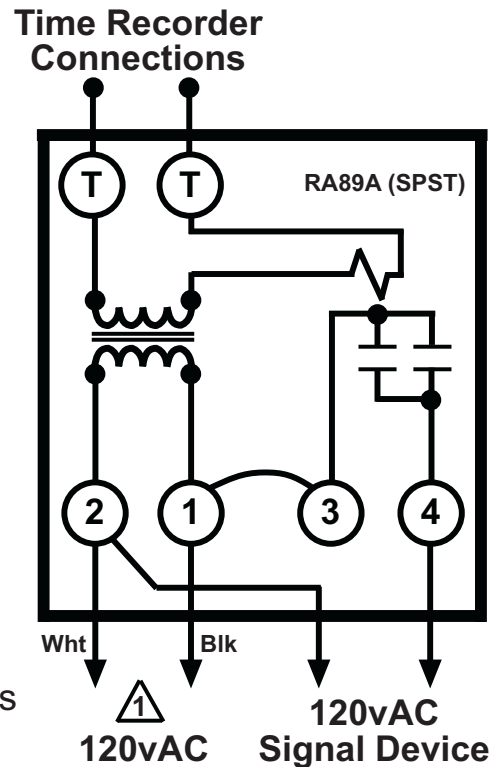


**External Relay & Signal Device Connections**

- 3) Connect the Relay (01-0230-000) to the 120VAC External Signal Device (Bell or Grill Horn).
- 4) Connect the Relay to a 120VAC power source.

# Internal Schematic and Hookup for 01-0230-000 Relay

**⚠️ Power Supply: Provide Overload Protection and Disconnect Means as Required.**



5) Plug the time recorder into a 120v outlet. Program bell schedules per your recorder's User Manual.

6) Verify that the External Signal Device is working properly. If it doesn't activate check to see if the Recorder is set to the correct time. If the time is correct check to see that the bell schedule is correct and verify the schedule for AM or PM settings.

## External Relay Sources:

Acroprint P/N	Grainger P/N	Manufacturer	Manufacturer's Part Number
01-0230-000	2E866	HoneyWell	RA89A1074
	2E553	White-Rogers	809A-189

## External Signal Device Sources:

Acroprint P/N	Description	Manufacturer	Manufacturer's Part Number
64-0103-000	Grille Horn	Edwards Signaling	874-N5
64-0104-000	4-1/4" Bell	W.L. Jenkins Co.	1005
64-0105-000	8" Bell	W.L. Jenkins Co.	3005