

Connecting the External Time Signal

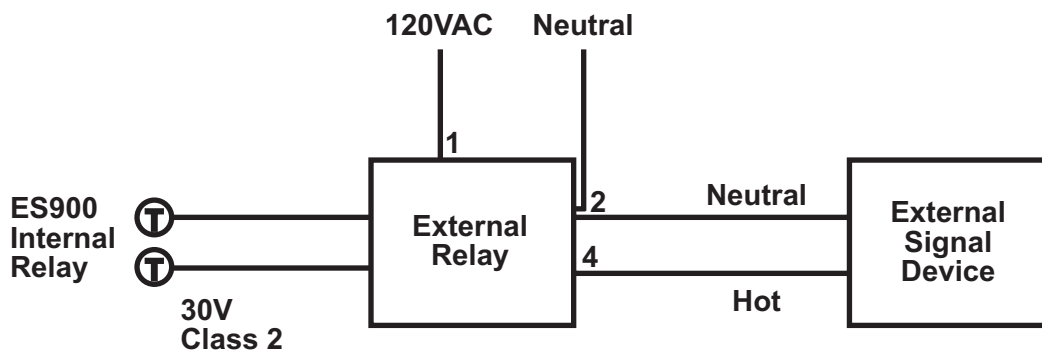
If external signal(s) are required, the addition of a relay (not supplied) will be necessary.

Please consult your local electrician.

When a signal is activated the internal contacts close completing the circuit. These internal contacts are “dry” and supply no voltage. Voltage applied to these contacts must **not** exceed 30 volts. An external relay must be used to activate signaling devices.

Recommended Relays: (Or similar line voltage switching relays)

- 1) Acroprint P/N 01-0230-000 (Grainger P/N 2E866)
- 2) Grainger 2E866 (HoneyWell RA89A1074)
- 3) Grainger 2E553 (White-Rogers 809A-189)

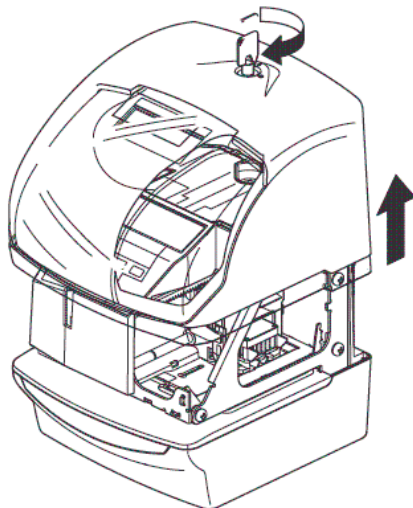


Connections Shown for HoneyWell RA89A1074

CAUTION: Be sure to pull out AC cord from AC outlet before connecting wires of the External Time Signal. Improper connection may cause a malfunction of the unit.

Also refer to "Attaching the Wire Clamp" to secure wires with the wire clamp.

- 1 Unlock the key and remove the cover.



- 2 Insert wires into two right terminals for external time signal, and tighten both screws.

